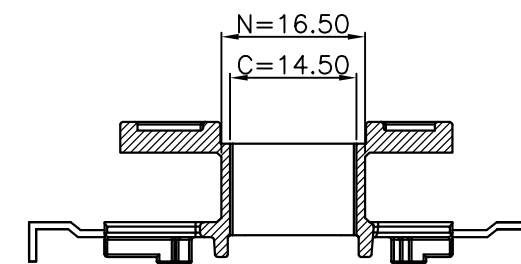
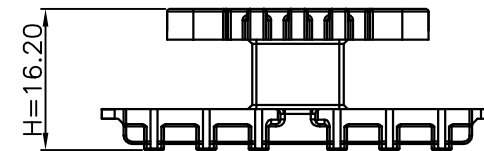
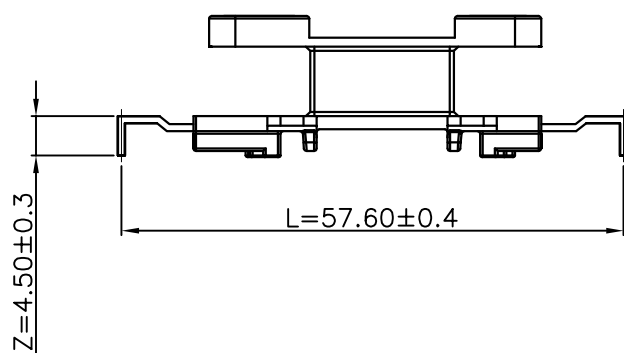
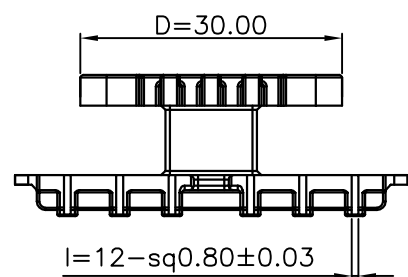
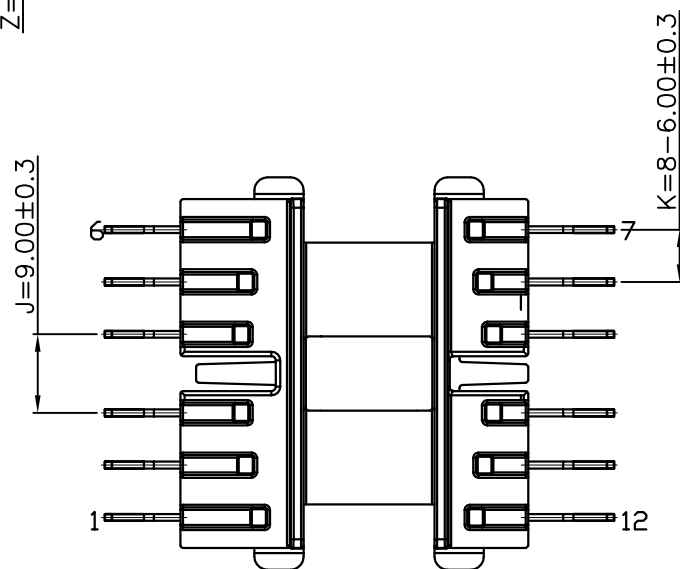


SECTION A-A



SECTION B-B



MARK	REVISION NOTE	DATE	DRAWN	CHECKED	APPROVED
△					
△					
△					
△					
DRAWN	CHECKED	APPROVED	MATERIAL : PHENOL	UL REC. : UL94V-0	THIRD ANGLE PROJ.
GW, Jeon	KM, Seo	C, Park	Z : PIN LENGTH (According to customer's request)	DATE : 2014.11.10	TOLERANCE : ±0.2 (Unless otherwise specified)
주식회사 대흥보빈 DAE HEUNG BOBBIN CO., LTD			TITLE	DWG NO	
			EE 39*17 "V" (12P)	DH-141127-2061-20	
				SCALE : 1/1	
				UNIT : m/m	